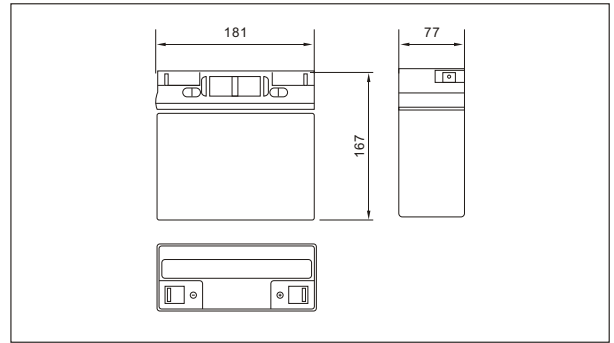




SW12150(12V15AH)



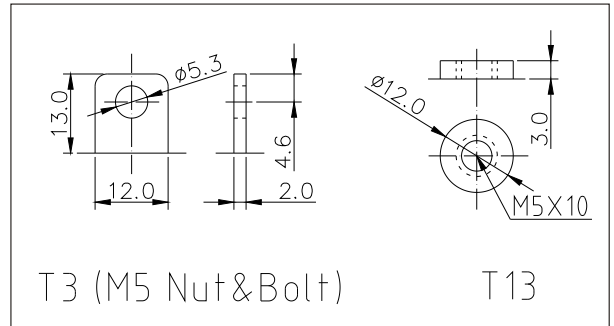
Outer dimensions (mm)



Specifications

Nominal Voltage		12V
Rated capacity (20hour rate)		15Ah
Dimensions	Total Height	167 mm (6.57 inches)
	Height	167 mm (6.57 inches)
	Length	181 mm (7.13 inches)
	Width	77 mm (3.03 inches)
Weight Approx		5.3 Kg (11.68 lbs)

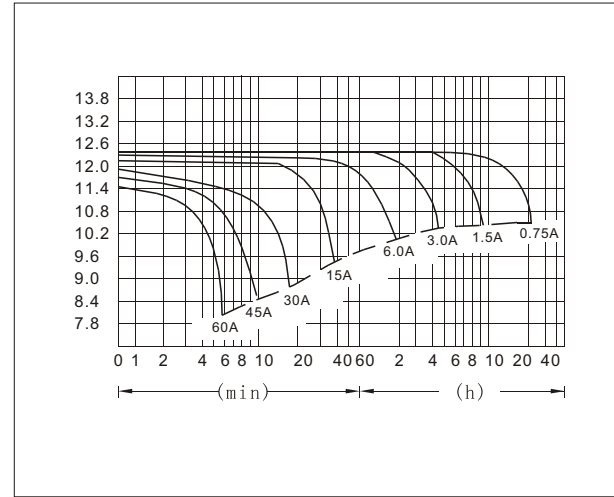
Terminal Type (mm)



Characteristics

Capacity 25°C(77°F)	20 hour rate(0.75A)	15.0 AH
	10 hour rate(1.38A)	13.8 AH
	5 hour rate(2.50A)	12.5 AH
	1 hour rate(9.00A)	9.00 AH
	1.5 hour discharge to 10.5V	6.4 A
Internal Resistance	Full charged Battery at 25°C(77°F)	17 mΩ
Capacity affected by Temperature (20hour rate)	40°C(104°F)	102%
	25°C(77°F)	100%
	0°C(32°F)	85%
	-15°C(5°F)	65%
Self-Discharge at 25°C(77°F)	Capacity after 3 month storage	91%
	Capacity after 6 month storage	82%
	Capacity after 12 month storage	64%
Terminal	T3 or T13	
Charge (constant Voltage)	Cycle	Initial Charging Current less than 6.0A Voltage 14.40-14.70V
	Float	Voltage 13.50-13.80V

Discharge Curves 25°C(77°F)



Time		5min	10min	15min	30min	1h	2h	3h	4h	5h	8h	10h	20h
9.60V	A	54.0	35.4	26.3	17.3	9.0	5.25	3.86	3.10	2.63	1.74	1.42	0.78
	W	561	380	281	186	98	57.6	43.0	34.9	29.9	19.9	16.4	9.0
10.20V	A	49.5	33.9	24.1	16.4	8.4	5.04	3.75	3.00	2.58	1.71	1.39	0.76
	W	532	379	270	184	96	58.1	43.4	34.9	30.1	19.9	16.4	8.9
10.50V	A	45.1	31.7	22.5	15.9	8.2	4.94	3.69	2.85	2.57	1.69	1.38	0.75
	W	495	360	257	183	94	57.3	42.9	33.4	29.9	19.9	16.3	8.9
10.80V	A	43.3	30.3	21.0	15.4	7.9	4.81	3.63	2.80	2.44	1.64	1.34	0.73
	W	486	349	242	179	92	56.4	42.8	33.1	28.8	19.5	16.0	8.7
11.10V	A	40.1	28.5	19.5	15.0	7.6	4.69	3.44	2.75	2.33	1.60	1.31	0.71
	W	454	330	227	176	89	55.4	40.8	32.8	27.8	19.2	15.9	8.6